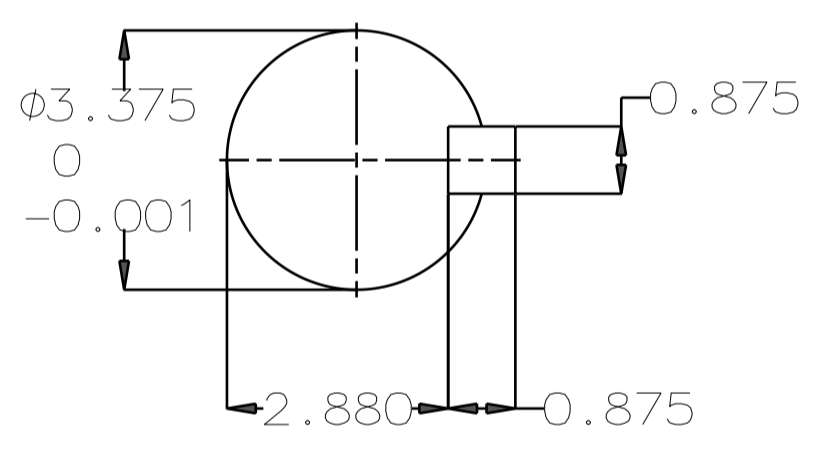
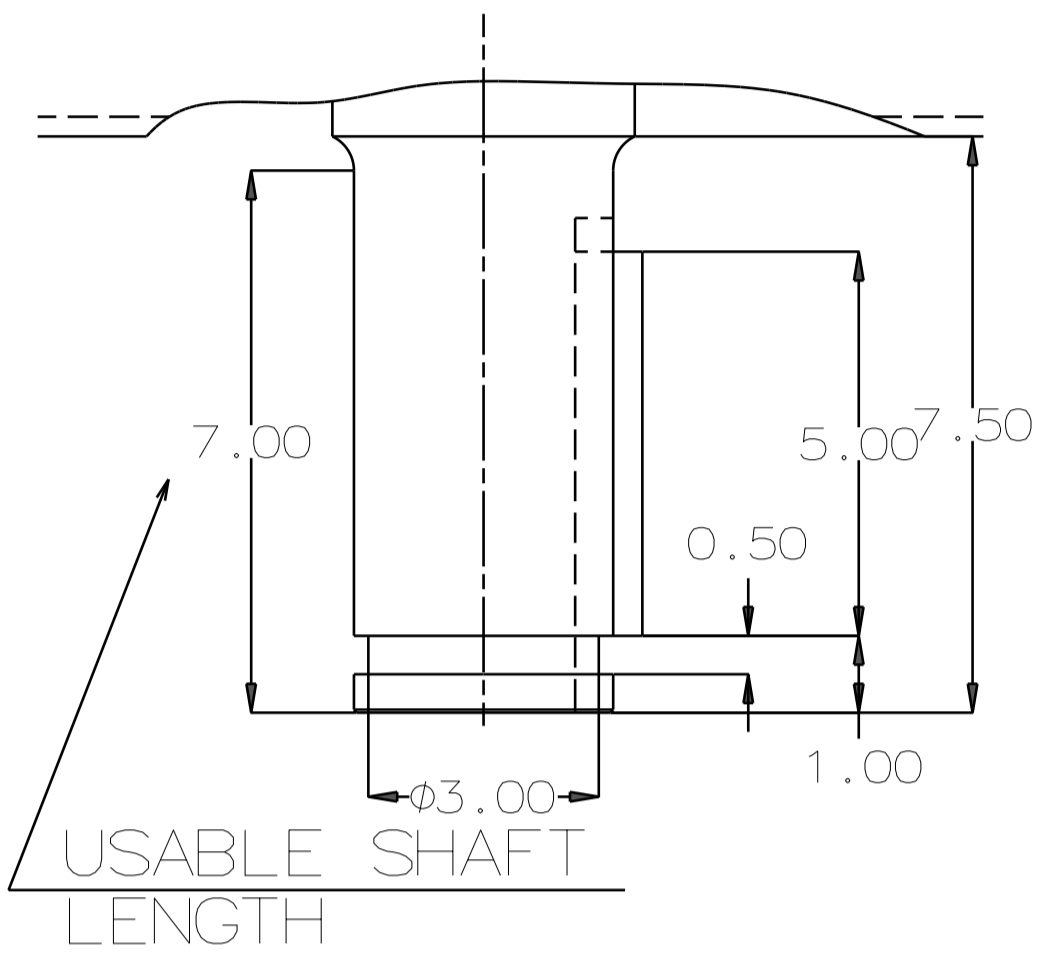


TYPE	OUTPUT		POLE	TIME RATING	VOLTAGE V	Hz	SYN. SPEED R.P.M
	HP.	kW.					
AMRCED	500	372.8	4	CONT	460	60	1800

ENCLOSED VENTILATED VERTICAL SOLID SHAFT TYPE, SQUIRREL CAGE ROTOR
NEMA WEATHER PROTECTED TYPE 1

NOTE:

1. DIMENSIONS IN INCH
2. FRAME NO. 5009
3. F CLASS INSULATION, S.F. 1.15
4. FOR DIRECT COUPLING
5. BEARING SIZE:
UPPER BEARING: 29330+6028 (INSULATED)
LOWER BEARING: 6220C3 [UNINSULATED]
6. UPPER BEARING IS INSULATED. ANY METAL CONNECTIONS TO IT MUST BE INSULATED.
7. LUBRICATION:
UPPER BEARING USE OIL.
OIL VISCOSITY: ISO VG68 [300 SSU/100°F]
OIL QUANTITY: 1.8 GAL.
LOWER BEARING USE GREASE. [MOBIL POLYREX EM]
8. ROTATION: COUNTER-CLOCKWISE [VIEW FROM TOP].
9. WITH NON-REVERSE RATCHET MECHANISM.
10. APPROXIMATE WEIGHT: 4170
11. DOWNTHRUST: 30,900 LBS (L10-8800HRS)
12. REED FREQUENCY: 29 HZ
13. SPACE HEATER RATED AT 120 VOLT, SINGLE PHASE, 200 WATTS, LEADS TERMINATE IN MAIN LEAD BOX.



SHAFT END
(ENLARGED VIEW)

- (A) OIL FILLER [UPPER BEARING]
- (B) OIL GAUGE [UPPER BEARING]
- (C) OIL DRAIN [UPPER BEARING]
- (D) GREASE INLET [LOWER BEARING]
- (E) GREASE DISCHARGER [LOWER BEARING]
- (F) 4~M16 VERTICAL JACKING HOLES, 90° APART IN MOTOR BASE.
- (G) M10 TAPPED GROUNDING ON FRAME, WITH ONE GROUNDING STUDS & [R38-10] TERMINAL LOCATED AS SHOWN.

CENTER OF GRAVITY

PRIMARY T-BOX
(NPT 4")

4~Ø0.94

4~Ø0.69

Ø22.00

Ø14.75

Ø13.50
+0.005
0
Ø24.50

24.4

63.40
70.90

8.35

0.25 1.18 7.50

32.88

22.80

40.69

DATE DEC 08 2016

OUTLINE DIMENSIONS

VSP5004

3-PHASE INDUCTION MOTOR

DWN. C.FU MAY.11.2015

CHKD. R.LEE MAY.11.2015

APPD. C.LIU MAY.11.2015

TEC Westinghouse

DWG NO. REV:00

4B040L299 1/1